


## Trigger stick

Patent Number: DE3634912  
Publication date: 1988-04-28  
Inventor(s): PLAAS LINK ANDREAS DR (DE)  
Applicant(s): LINK KG J (DE)  
Requested Patent:  DE3634912  
Application Number: DE19863634912 19861014  
Priority Number(s): DE19863634912 19861014  
IPC Classification: G10H1/34 ; H01C10/10  
EC Classification: G10H1/32, G10H3/14D  
Equivalents:

### Abstract

Trigger/selection devices 5 for electronic sound-generating devices, which preferably can be mounted in the working range of a drummer and can be actuated by means of drumsticks, have the disadvantage that they require a considerable amount of space and can only be produced in a very cost-intensive manner. A trigger/selection device is proposed, which consists of at least one pipe which is preferably fastened on a stand and on the casing of which electrically mutually separated switching foils are arranged next to one another in the longitudinal direction, which are surrounded, together with the pipe, by a protective tube (Fig. 1). 

Data supplied from the esp@cenet database - I2

3634912

Nummer: 36 34 912 10. 86  
Int. Cl. 4: G 10 H 1/34  
Anmeldetag: 14. Oktober 1986  
Offenlegungstag: 28. April 1988

Fig. 1

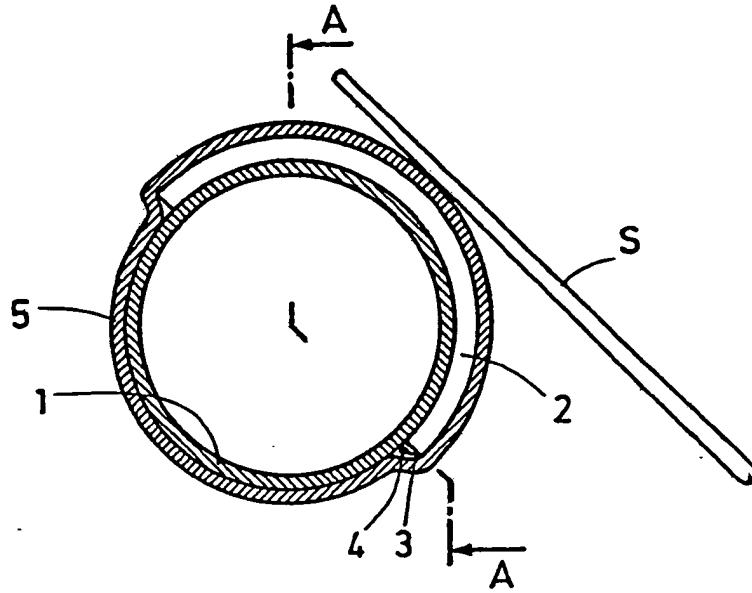


Fig. 2

